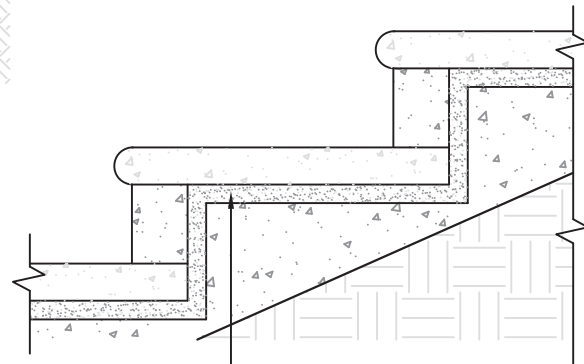
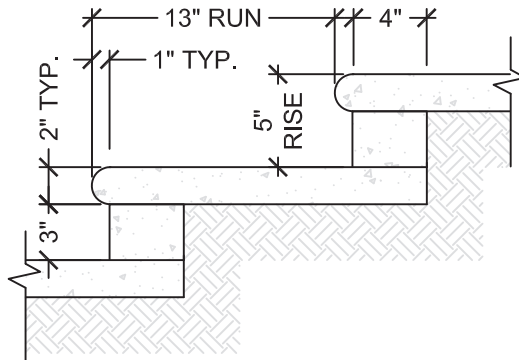


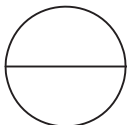
**GARDEN STEP RISER BLOCK**



INSTALLED W/ MORTAR ON CONCRETE.

**NOTES:**

1. PRECAST UNITS ARE INDIVIDUALLY HAND CAST. LENGTHS ARE APPROXIMATE. SOME VARIATIONS ARE EXPECTED.
2. INSTALLATION TO BE COMPLETED IN ACCORDANCE WITH GENERALLY ACCEPTED MASONRY PRACTICE.
3. SANDBLAST FINISH ON TOP AND NOSE.
4. PRECAST UNITS MAY BE CUT TO FIT FIELD CONDITIONS.



**MODERN GARDEN STEP RISER BLOCK DETAILS**

SCALE: N.T.S.