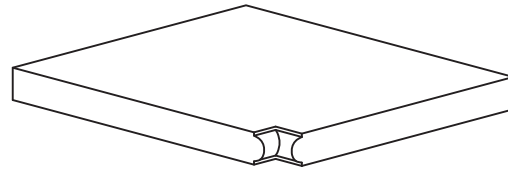


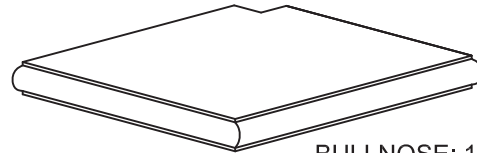
**STRAIGHT**

BULLNOSE: 1 SIDE  
THICKNESS: 2- $\frac{1}{2}$ "  
SIZE: 14" x 24"



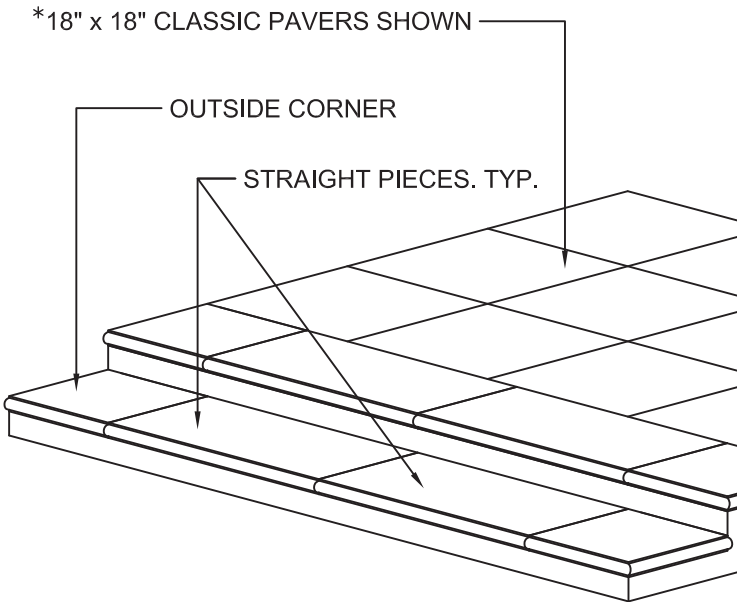
**INSIDE CORNER**

BULLNOSE: 1 SIDE  
THICKNESS: 2- $\frac{1}{2}$ "  
SIZE: 16" x 16"  
JOINS W/ STRAIGHT  
PIECES TO FORM  
INSIDE CORNERS.



**OUTSIDE CORNER**

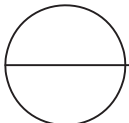
BULLNOSE: 1 SIDE  
THICKNESS: 2- $\frac{1}{2}$ "  
SIZE: 16" x 16"  
JOINS W/ STRAIGHT  
PIECES TO FORM  
OUTSIDE CORNERS.



**ISOMETRIC VIEW**

**NOTES:**

1. PRECAST UNITS ARE INDIVIDUALLY HAND CAST. LENGTHS ARE APPROXIMATE. SOME VARIATIONS ARE EXPECTED.
2. INSTALLATION TO BE COMPLETED IN ACCORDANCE WITH GENERALLY ACCEPTED MASONRY PRACTICE.
3. STIPPLE FINISH ON TOP WITH SMOOTH BULLNOSE. SANDBLAST FINISH AVAILABLE.
4. PRECAST UNITS MAY BE CUT TO FIT FIELD CONDITIONS.
- \*5. PAVER THICKNESS VARIES BY PAVER SIZE.



**CLASSIC GARDEN STEP - GENERAL DETAILS**

SCALE: N.T.S.