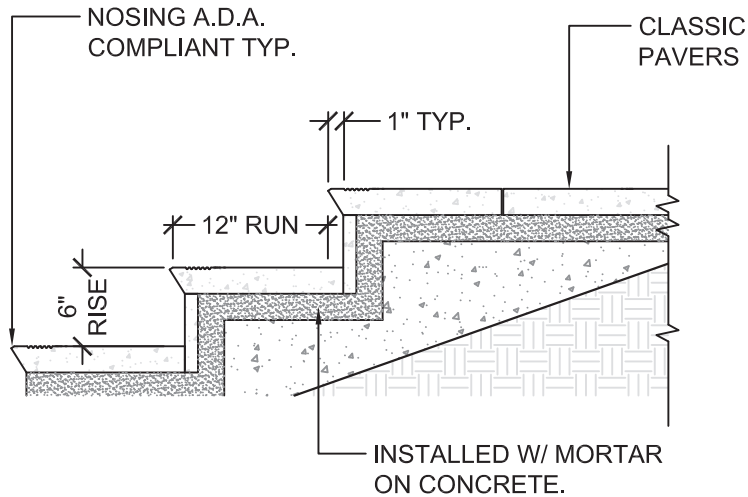
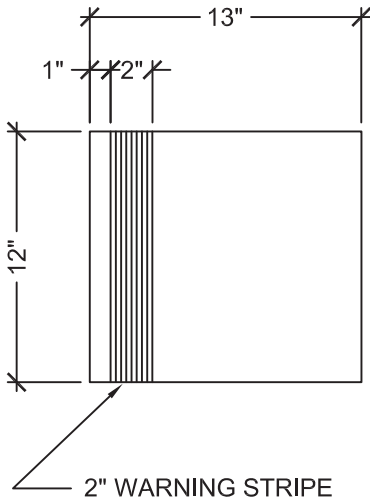
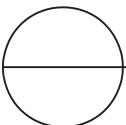


NOTE:
SUGGEST $\frac{3}{16}$ " JOINT BETWEEN PIECES



NOTES:

1. PRECAST UNITS ARE INDIVIDUALLY HAND CAST. LENGTHS ARE APPROXIMATE. SOME VARIATIONS ARE EXPECTED.
2. INSTALLATION TO BE COMPLETED IN ACCORDANCE WITH GENERALLY ACCEPTED MASONRY PRACTICE.
3. STIPPLE FINISH ON TOP. SANDBLAST FINISH AVAILABLE.
4. PRECAST UNITS MAY BE CUT TO FIT FIELD CONDITIONS.
- *5. PAVER THICKNESS VARIES BY PAVER SIZE.



CLASSIC GROOVED STEP - GENERAL DETAILS

SCALE: N.T.S.