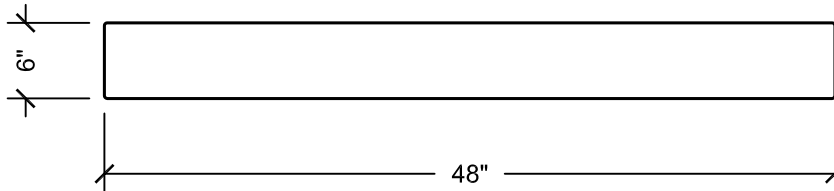
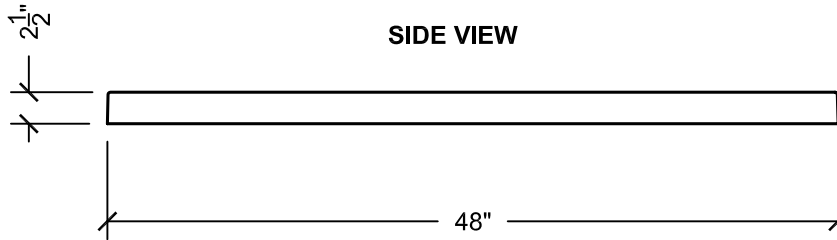




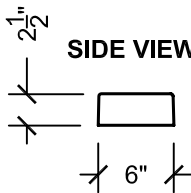
TOP VIEW



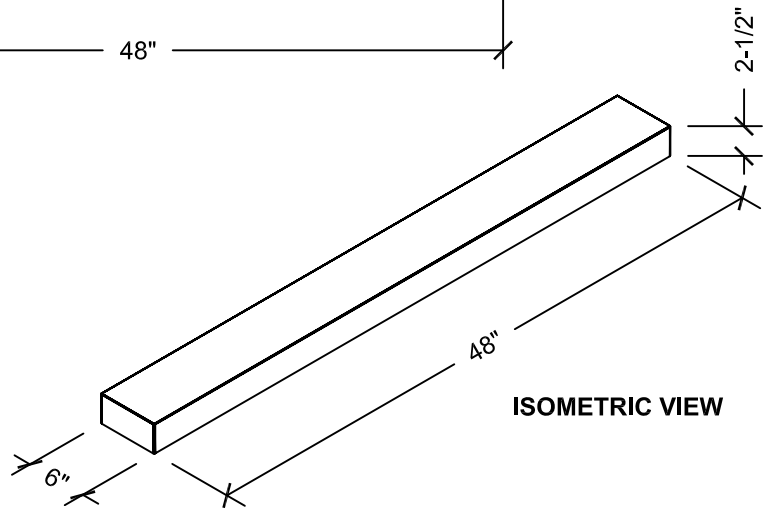
SIDE VIEW



SIDE VIEW

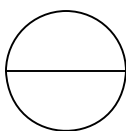


ISOMETRIC VIEW



**NOTES:**

1. NARROW MODULAR PAVERS SHOWN ABOVE SHALL BE 2-1/2" THICK AS MANUFACTURED BY STEPSTONE, INC. PAVERS SHALL HAVE A MINIMUM COMPRESSIVE STRENGTH OF 5,000 P.S.I.
2. THESE PAVERS CAN BE MORTAR SET OR SAND SET.
3. SANDBLAST FINISH - LIGHT, MEDIUM OR HEAVY.
4. NARROW MODULAR PAVERS ARE AVAILABLE IN TWELVE (12) STANDARD COLORS. CUSTOM COLORS AND SIZES MAY BE AVAILABLE UPON REQUEST.
5. ALL DIMENSIONS ARE NOMINAL. ALL SIDES HAVE DRAFT. SEE SPECIFICATIONS FOR TOLERANCES.



## NARROW MODULAR PAVER, 48" x 6" x 2-1/2"

SCALE: N.T.S.

